

Stewart Filmscreen Corporation®

(310) 784-5300 • Toll Free (800) 762-4999 • Facsimile (310) 326-6870

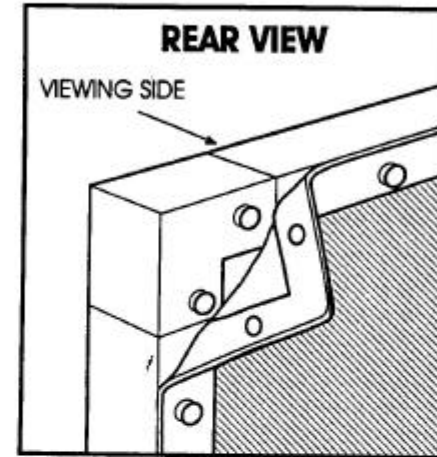
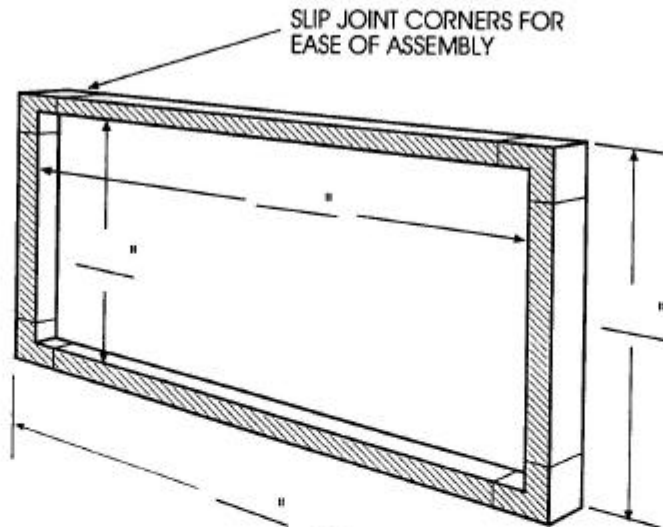
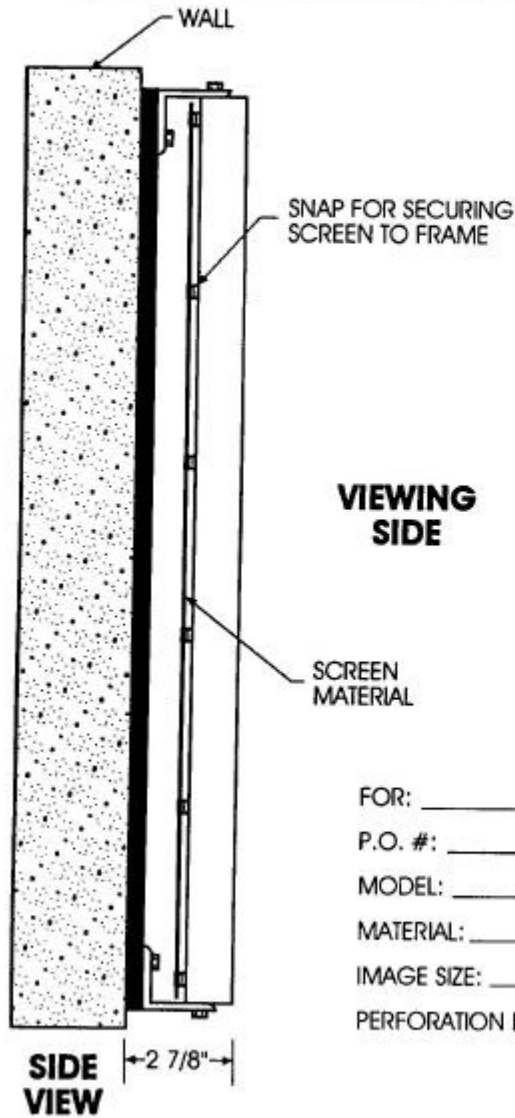
WALL MOUNT SNAPPER WITH AT-1.5 FRAME

DRAWN BY: *C. Shields*

APPROVED BY: *S. Kimber*

DATE: *8-14-96*

SCALE: *None*



FOR: _____

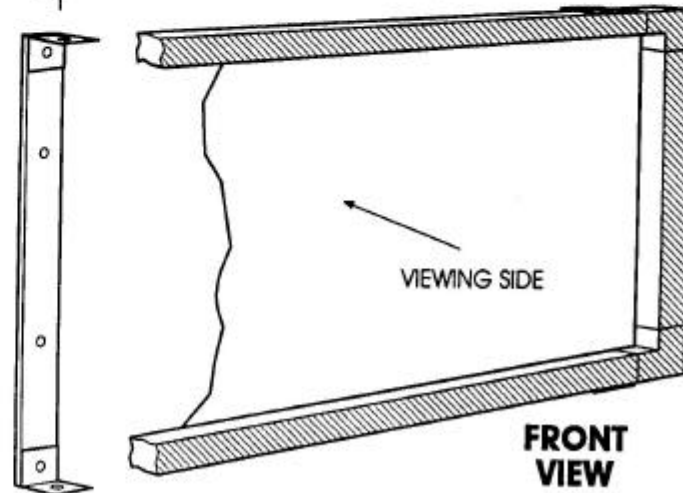
P.O. #: _____

MODEL: _____

MATERIAL: _____

IMAGE SIZE: _____

PERFORATION FOR SOUND: _____



SIGNATURE: _____ DATE: _____