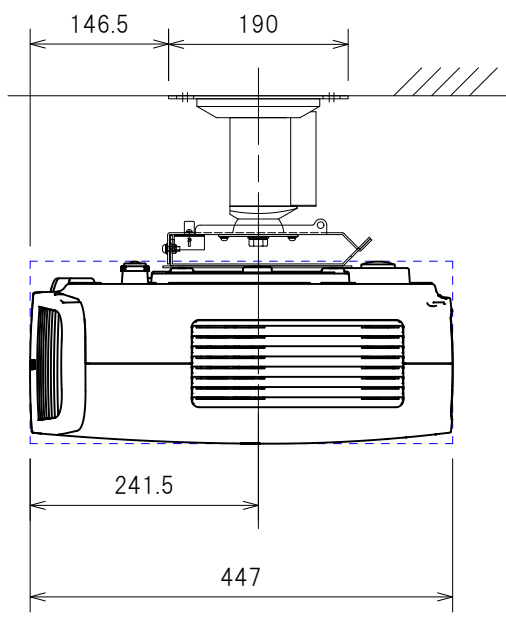
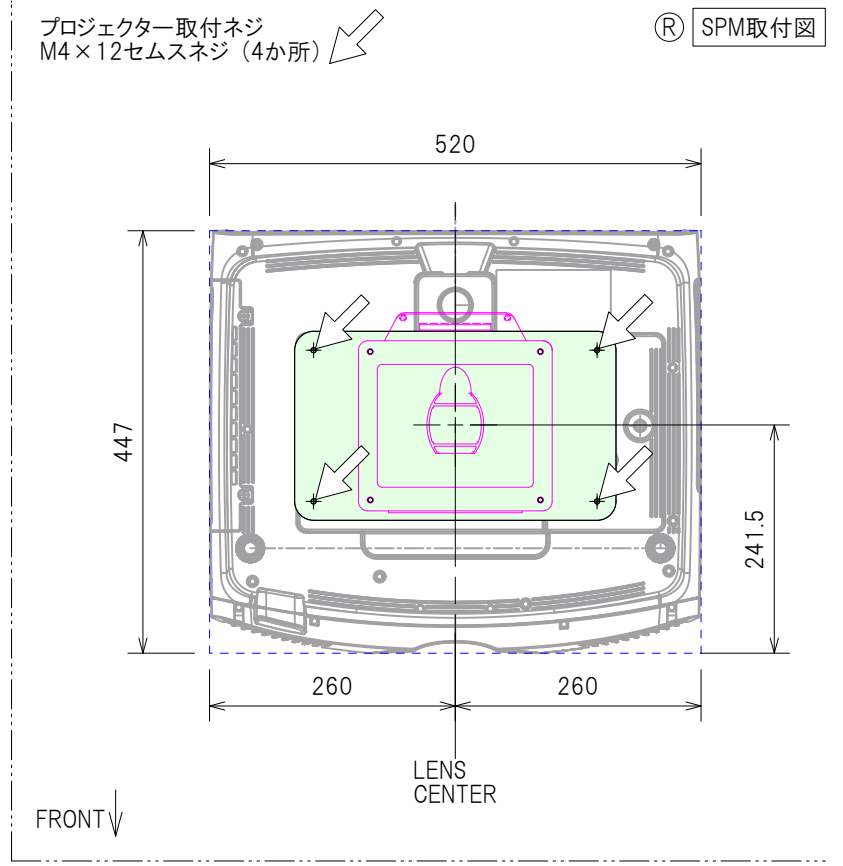


正面図



側面図



△				UNIT	mm	SCALE	1/8
△				ANGLE			
△				TOLERANCE			
△				DATE	2024.03.29		
△				TITLE	SPCM設置図		
△				DATE	REVISION	SIGN	
	PLANNED BY	DRAWN BY	CHECKED BY	APPROVED BY	DRAWING NO.		
		M.YAMANOI	T.KIKUCHI				
	MODEL NAME					MODEL NO.	
	SPCM-180-EH-LS						